

Window Wiper System Inquiry

Company _____
 Street Address _____
 City/State/Zip _____
 Phone / Fax _____
 Your Name _____
 Model/Type of Vehicle _____

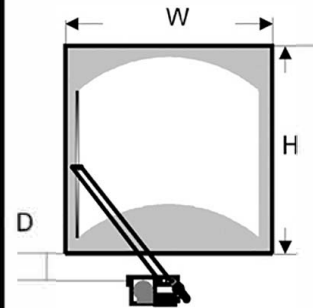
Type in blue boxes to complete this form, save, and attach to an email along with drawings of your window layout. Send to hepworthsales@sbcglobal.net

Or print and fax form and drawings to (860) 536-9218.

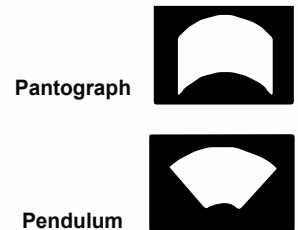
Window Configuration

1. Height and Width of exposed glass: H = _____ W= _____
2. Distance from glass edge to Wiper Motor Shaft ("D"): _____
3. Thickness of bulkhead at wiper shaft: _____
4. Is glass parallel to mounting bulkhead? if not, state angle: _____
5. Wiper to be mounted to the top or bottom: _____
6. Voltage available: _____
7. Number of Windows: _____
8. Independent Operation or Linked System : _____
9. If Linked, distance between drive shafts ("L") : _____

Dimension Key



Sweep Type



Currently Used Equipment

Length of Wiper Arm _____
 Length of Wiper Blade _____
 Brand / Model Number _____
 Angle of Arc _____

Wiper Switch Selection

- Two Speed Toggle
(Without wash)
- Two Speed Rotary
(With wash)
- Two Speed Rotary
(With wash, variable intermittent)

Window Washer Setup

Vehicle's Pressurized Water System

Voltage _____
 Required Solenoid _____
 Bulkhead Thickness T- _____
 Piece _____
 Tubing Required (In ft.) _____
 Non-return Valve _____

Bottle/Reservoir Supply

Bottle or Bulkhead Pump _____
 Bottle or Owner Supplied Reservoir _____
 Bulkhead Thickness _____
 Voltage _____
 Non-return Valve _____
 Tubing Required (In ft.) _____